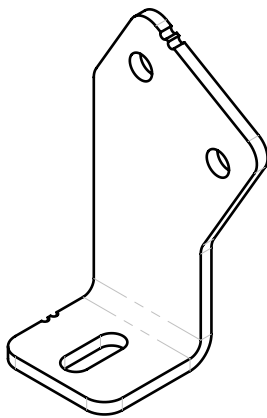
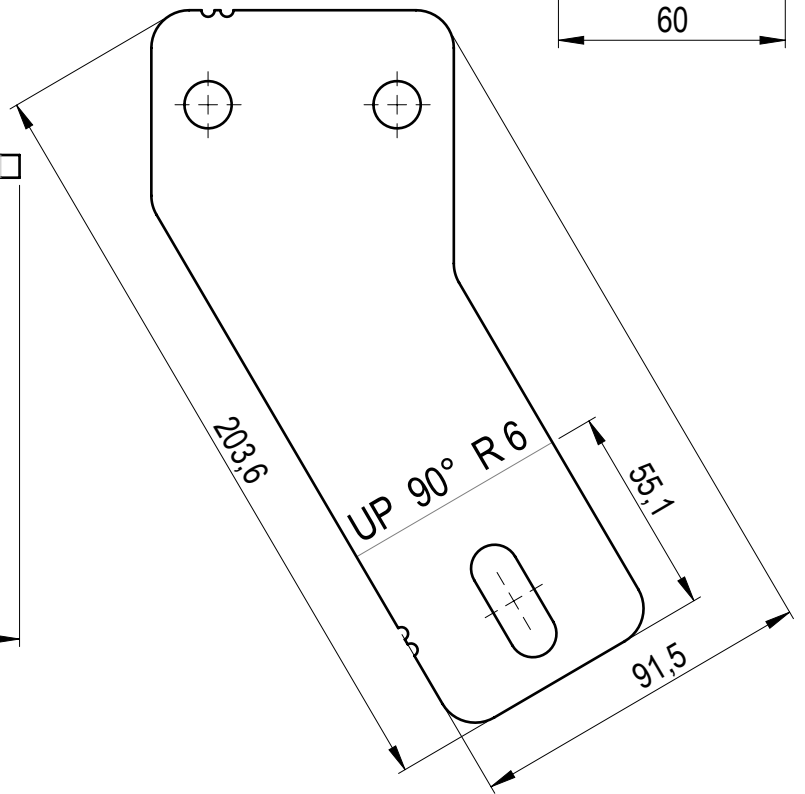
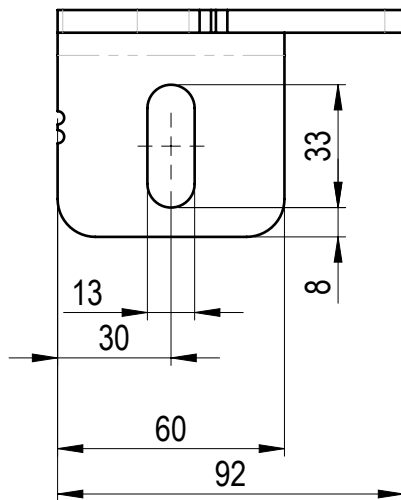


Flat Pattern view
SCALE: 1:2



Other dimensions from DXF file

| SHEET METAL INFORMATION | |
|-------------------------|-------|
| Length, mm | 203.8 |
| Width, mm | 89.3 |
| Thickness, mm | 6 |
| Inside Bend Radius, mm | 6 |
| K-Factor | 0.5 |
| No. of Bends | 1 |

| | | | | | | |
|----------------|--------------------|-------------|--|--------------|----------|------------|
| | MATERIAL | WEIGHT | DEBURR AND BREAK SHARP EDGES DO NOT SCALE DRAWING | | REVISION | DATE |
| | S355J2 | 0.572 Kg | | | | 28.05.2025 |
| | SURFACE PROTECTION | MACHINING | THERMAL CUTTING | WELDING | SCALE | FORMAT |
| | HDG EN ISO 1461 | ISO 2768 mK | ISO 9013 221 | ISO 13920 BF | 1:2 | A4 |
| | NAME | SIGNATURE | PART NO. | | | |
| Designed by | D. Dislers | | 105-09100-21 | | | |
| Drawn by | D. Dislers | | DESCRIPTION | | | |
| Technical ref. | | | Right bracket 3L | | | SHEET 1/1 |